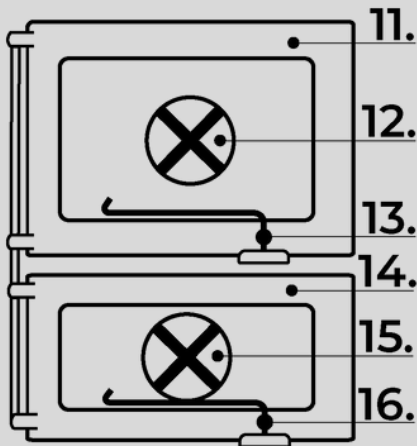
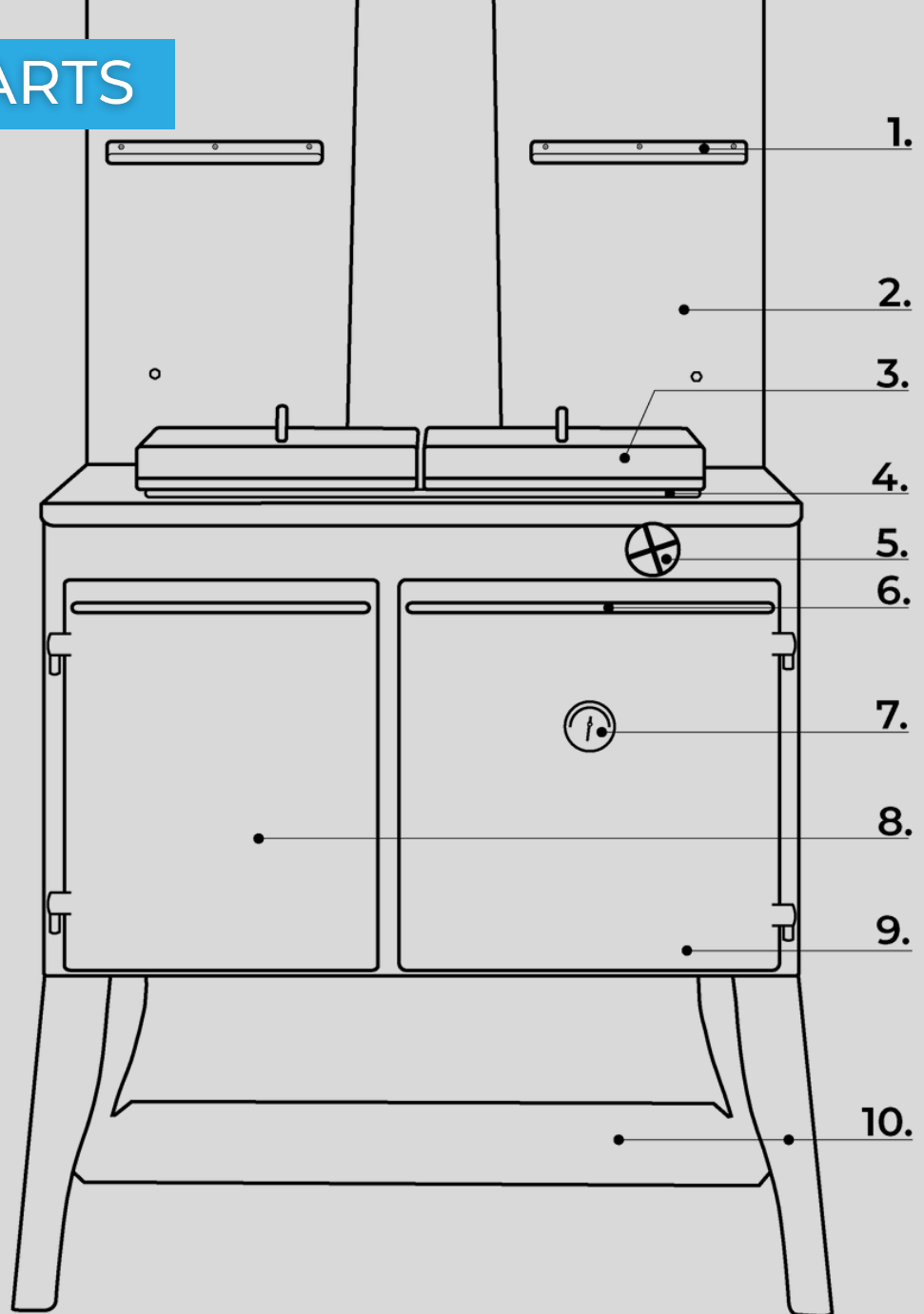
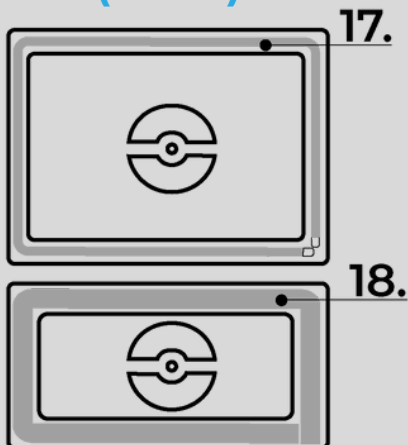


# CLARENDON PARTS

## CAST FIREBOX & ASHPAN DOORS (FRONT)



## (REAR)

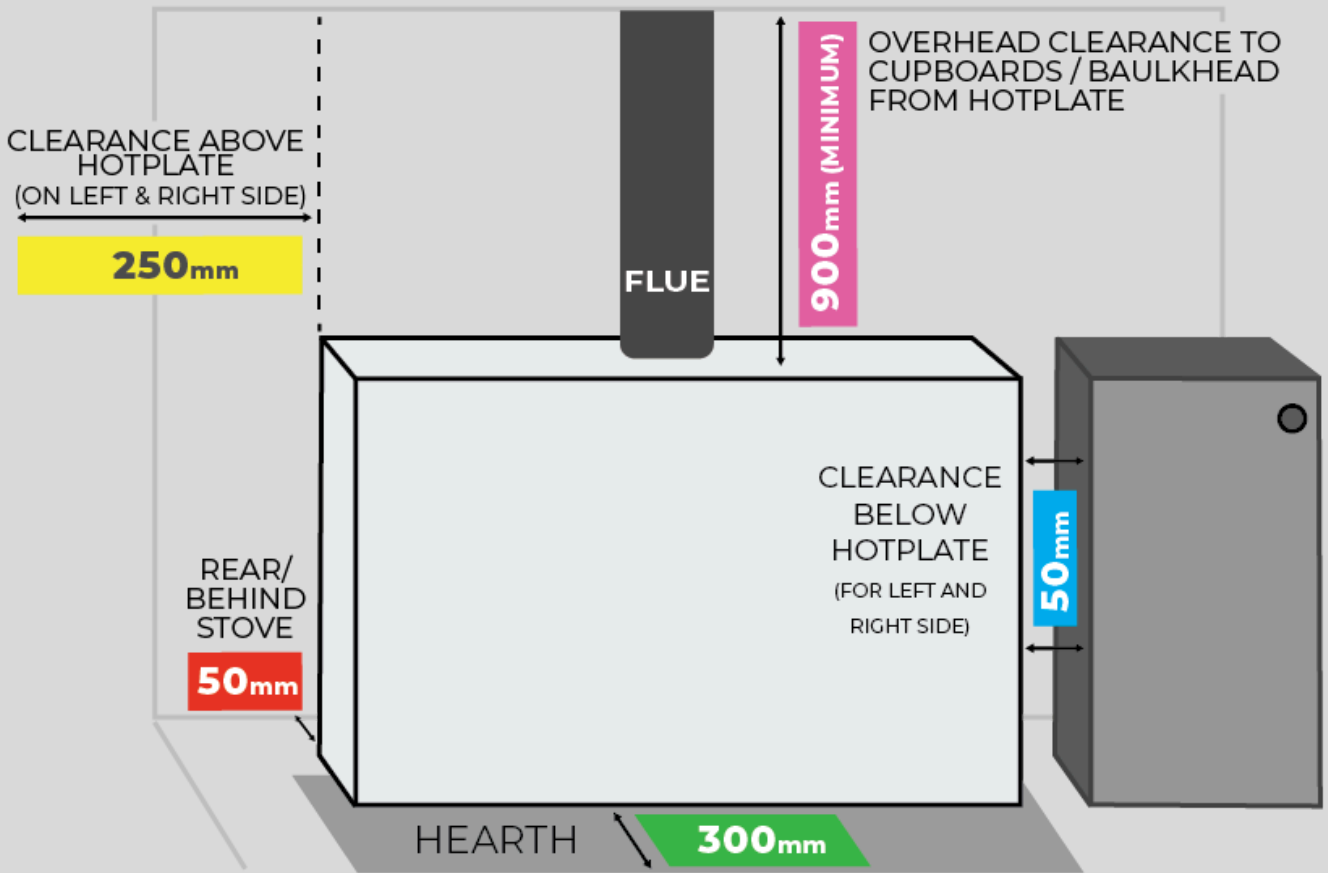


## IDENTIFYING PARTS LIST

- |   |                                      |
|---|--------------------------------------|
| 1. HOT PLATE COVER HANGERS                        | 11. FIREBOX DOOR (CAST)              |
| 2. SPLASHBACK (NON-STANDARD EXTRA)                | 12. FIREBOX DOOR AIR CONTROL SPINDLE |
| 3. HOTPLATE COVERS                                | 13. FIREBOX DOOR HANDLE              |
| 4. HOTPLATE                                       | 14. ASHPAN DOOR (CAST)               |
| 5. FLUE DAMPER + DILUTION CONTROL                 | 15. ASHPAN DOOR AIR CONTROL SPINDLE  |
| 6. OVEN DOOR HANDLE                               | 16. ASHPAN CAST DOOR HANDLE          |
| 7. THERMOMETER                                    | 17. FIREBOX DOOR ROPE SEAL           |
| 8. FIREBOX COVER DOOR                             | 18. ASHPAN DOOR ROPE SEAL            |
| 9. OVEN DOOR                                      |                                      |
| 10. 'QUEEN ANNE' STYLED LEGS (NON-STANDARD EXTRA) |                                      |

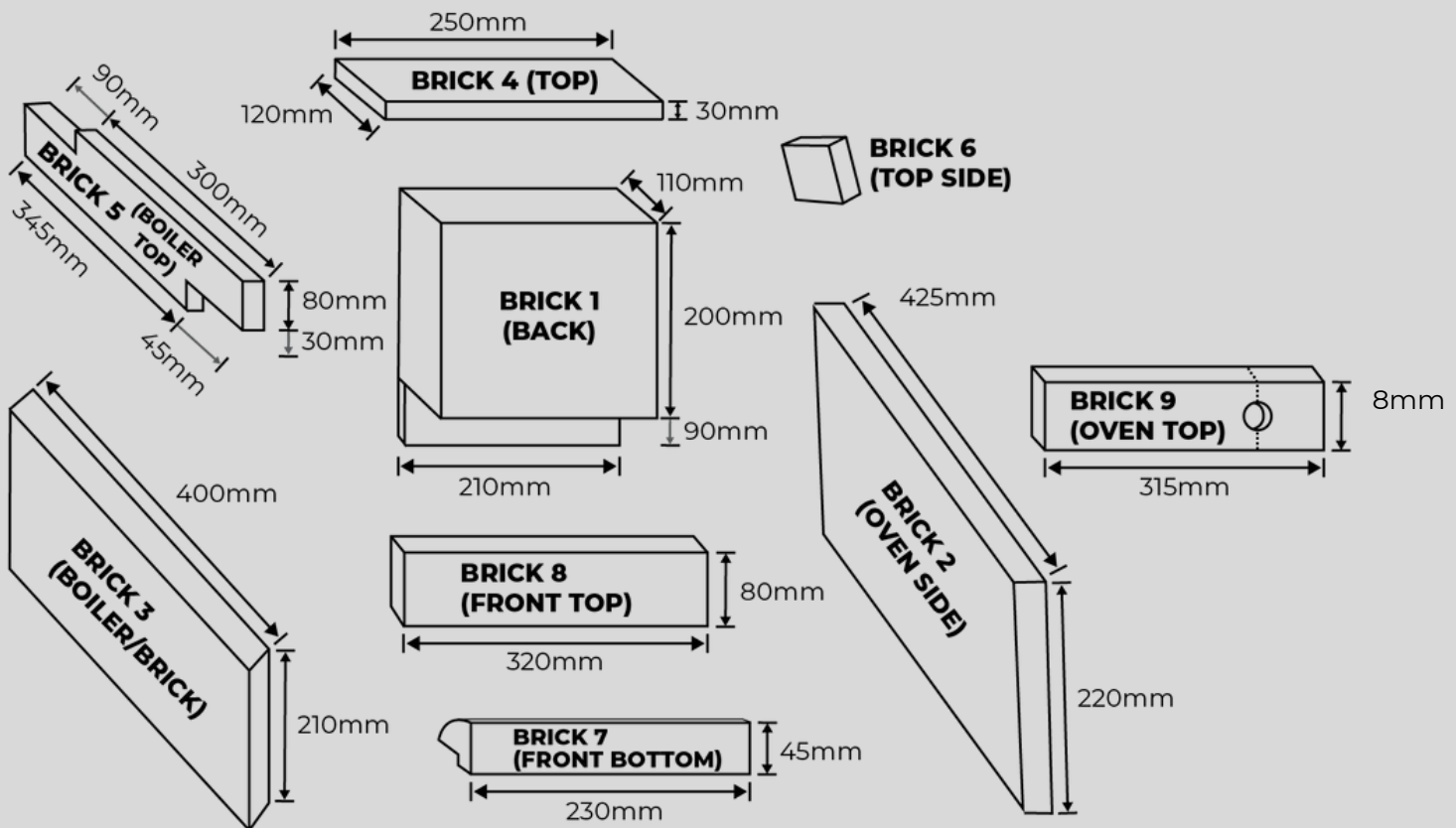
# CLARENDON CLEARANCES & FIREBRICKS

## CLARENDON CLEARANCES (TO COMBUSTIBLE MATERIALS)



HEARTH MUST BE MIN 6MM NON-COMBUSTIBLE MATERIALS IF ON LEGS OR BASE CABINET.

## CLARENDON & CLARENDON FIREBRICKS



Diagrams are for representation only. Brick sets vary slightly between Dry, 5 & 8kW. Please contact the WISELIVING office for any enquiries.